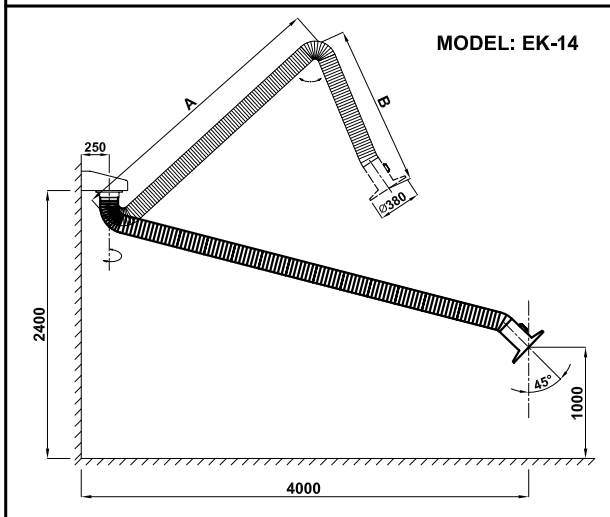
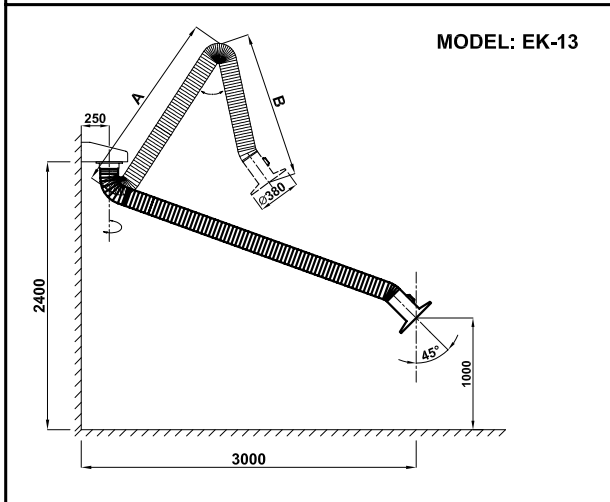
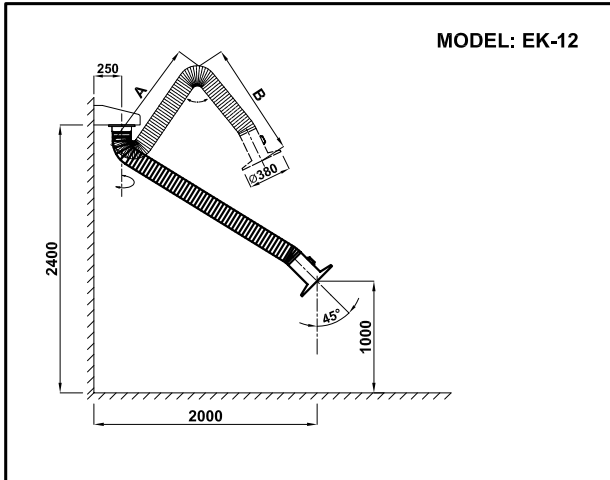
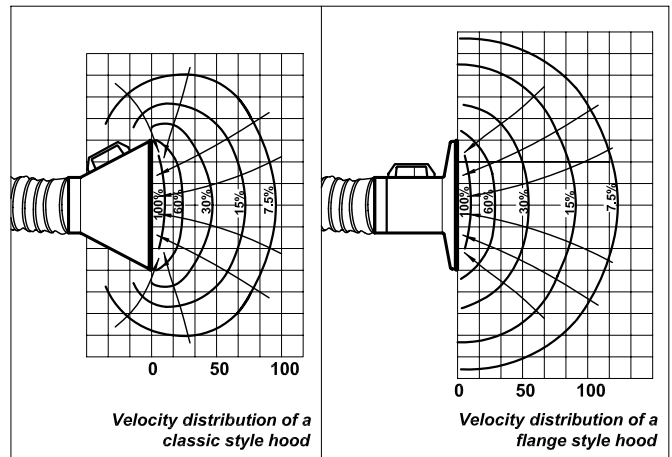


TECHNICAL SPECIFICATIONS



MODEL: EK-1 ARMS WITH INTERNAL CARRIER

- EK-1 models are low-cost arms and they are designed for any industrial ventilation requirements.
- Extraction arms will be brought easily into any desired position and will stay in equilibrium at that position. It will retain self-supporting.
- The extraction hood made of aluminium is resistant to sparks, hot particles and mechanical enforcements.
- The hood can be equipped with rotary damper, depending on customer requests.
- The flange style of the extraction hoods provide a high capture efficiency.



- The following flexible hose types are available according to the chemical/physical properties of the extracted dust and fume ;
 - AS Hose: Anti-static hose acc. to DIN 53486 ($R < 10^8$ ohm).
 - AA Hose: Flame retardant hose acc. to DIN 4102B.
 - PU Hose: Polyurethane hose, high resistant to abrasion and wear.
 - HH Hose: Food proved acc. to FDA, resistant to hydrolysis and microbes.
- The requested hose type is indicated with an abbreviation added to the model indication of the extraction arm.

Example

EK-13.160.AS: Indicates 3 meter long, EK-1 model extraction arm, with 160mm diameter, anti-static hose .

MODEL	LENGTH (m)	HOSE DIAMETER (mm)	AIR FLOW CAPACITY (m ³ /h)	A (mm)	B (mm)	WEIGHT (kg.)
EK - 12.160	2	Ø 160	1000-1200	1030	1000	15
EK - 13.160	3	Ø 160	1000-1200	1640	1310	16
EK - 14.160	4	Ø 160	1000-1200	2460	1440	18

⊗ Ongoing product development may subject the technical specifications to alteration without notice.