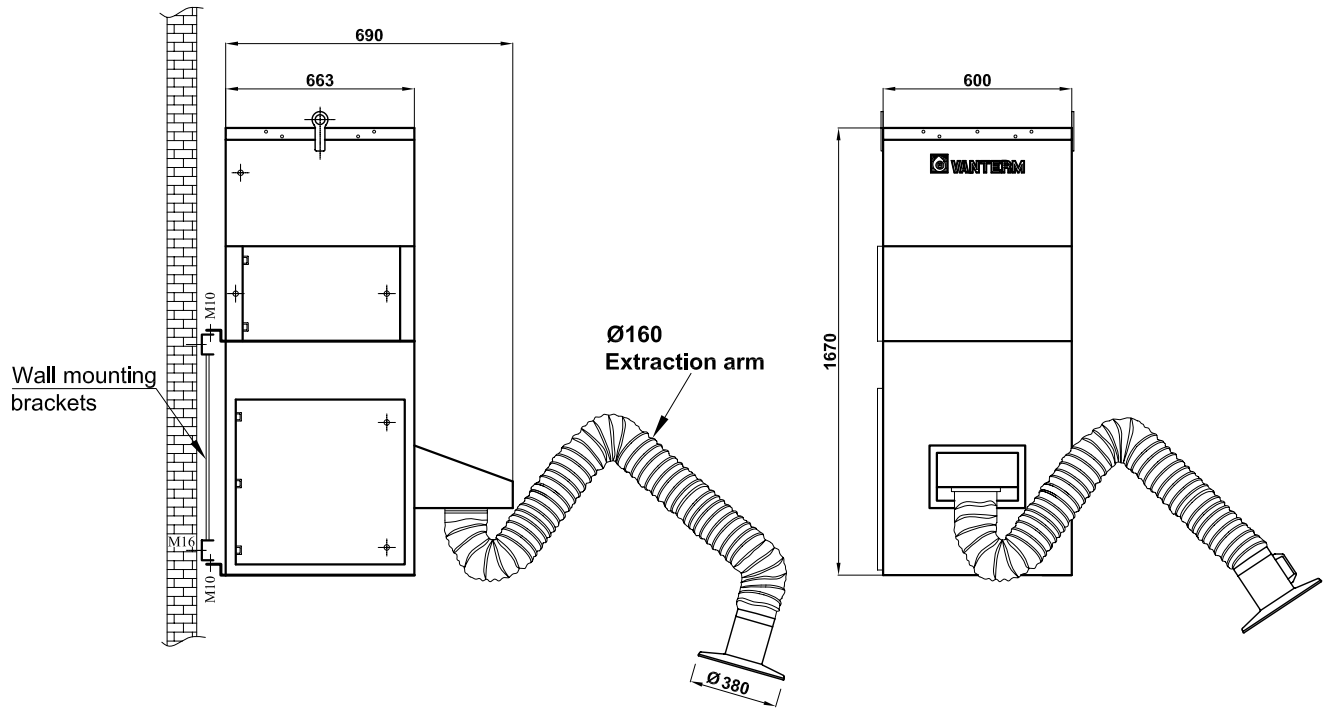
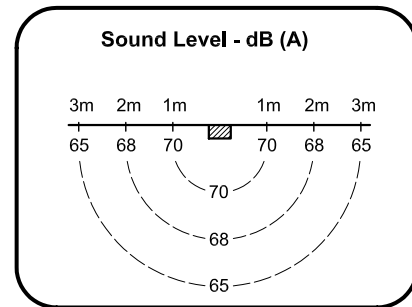


TECHNICAL SPECIFICATIONS



- For industrial use to capture dust and fumes at various workplaces like welding - shops, grinding-shops, polishing-shops...etc.
- Very easy to assemble with its wall mounting brackets.
- Cartridge filters are made of polyester non-woven. They arrest 0.2 - 2 micron particles with %99.9 efficiency. Dust Class M acc. to DIN EN 60335. Cartridge filters have a temperature resistance up to 80 °C.
- The filter unit is equipped with automatic jet-pulse cleaning. Cleaning pressure is 4-5 bar. The cleaning frequency is adjusted easily on the control panel.
- Easy to empty the dust tray.
- D - 600 wall mounted filter unit is used with one extraction arm. The length of the standart arm can be 2m. - 3m. or 4m. long.

Model	D - 600
Voltage	380/400V ~ 3P N PE - 50 Hz
Motor Power	1.5 kW
Suction Capacity (max.)	1400 m ³ / h
Air inlet diameter	160 mm
Filter Area	10 m ²
Dust Tray	20 Liter
Weight	195 kg.



⊗ Ongoing product development may subject our specifications to alteration without notice.