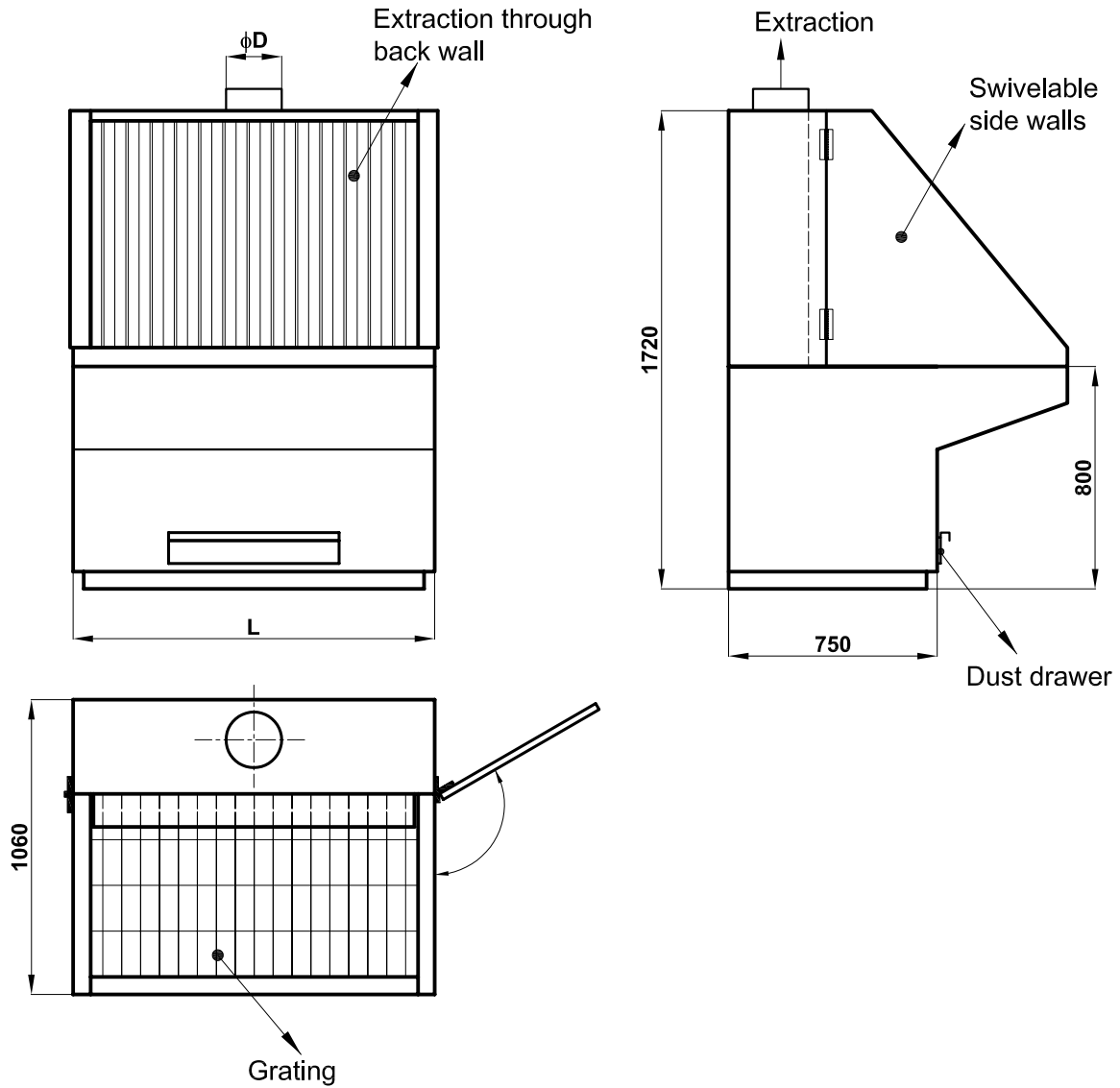


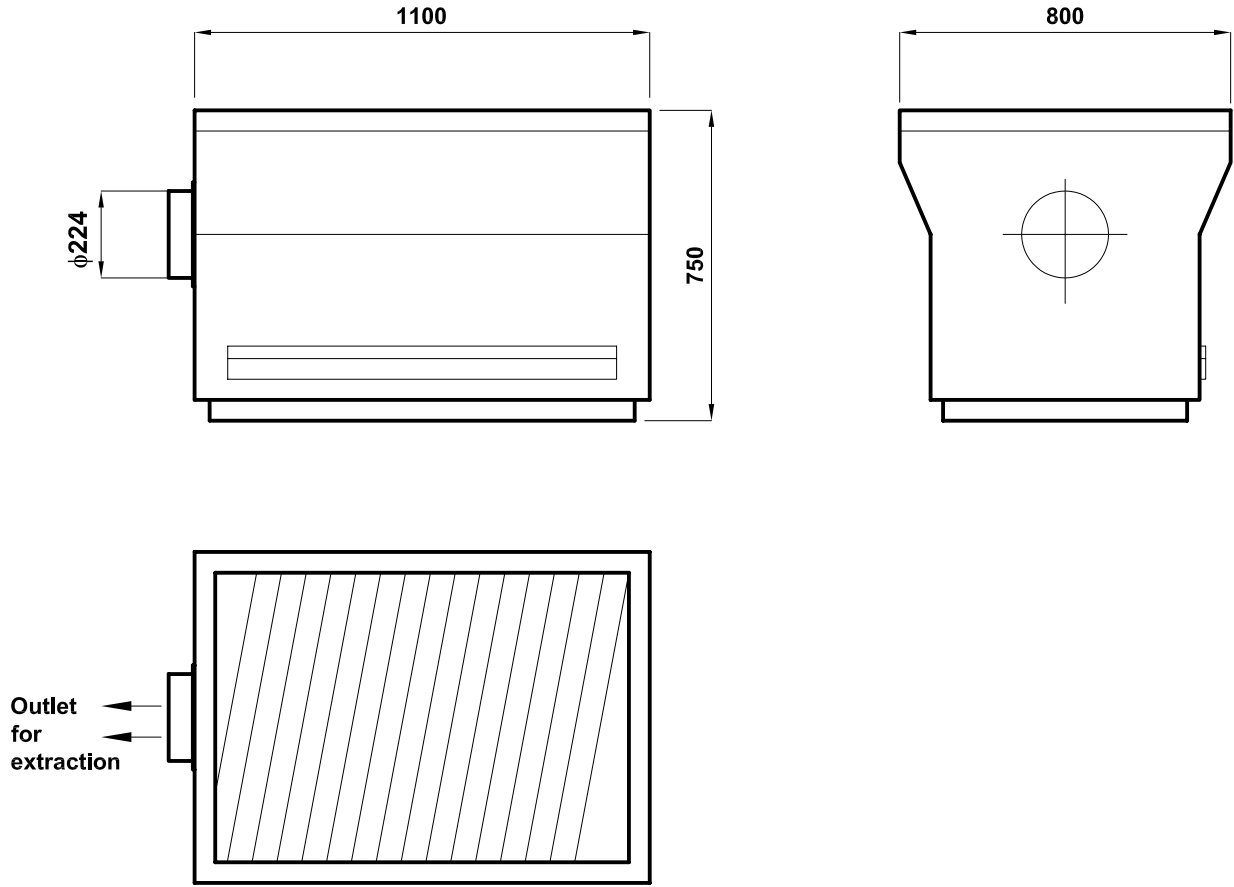
TECHNICAL SPECIFICATIONS


- Robust and stable welded construction with electrostatic painting.
- The grating enables the dust to drop down into the dust drawer. Easy removal of dust.
- Easy to work with larger parts due to the swivelable side walls.
- The back wall extraction avoids the particles to bounce back to the operator during grinding.
- Grinding table must be connected to a fan or a filtration or a central extraction system according to the airflow requirements mentioned in the following table.

TYPE	AIR FLOW (m ³ /h)	L (mm)	ØD (mm)	WEIGHT (kg.)
TM-1300	2500	1300	200	246
TM-1650	3200	1650	250	289
TM-2000	4000	2000	250	330

⊗ Ongoing product development may subject the technical specifications to alteration without notice.

TECHNICAL SPECIFICATIONS



- These tables are used for hand plasma cutting of small parts.
- Robust construction with strong steel bars and supports. Electrostatic powder painting.
- Easy maintenance: Very easy to change the grating and bars of the table.
- It is easy to remove dust and particles under grating with the dust drawer.
- Recommended extraction capacity for one table is 3 000 m³/h.
- Weight : 115 kg.

⊗ Değişiklik hakkımız saklıdır.